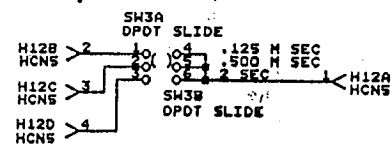
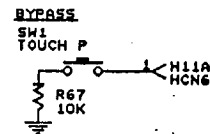
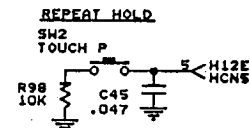
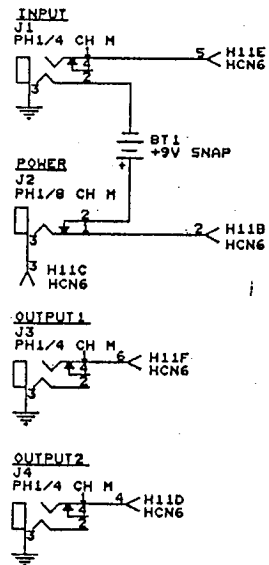
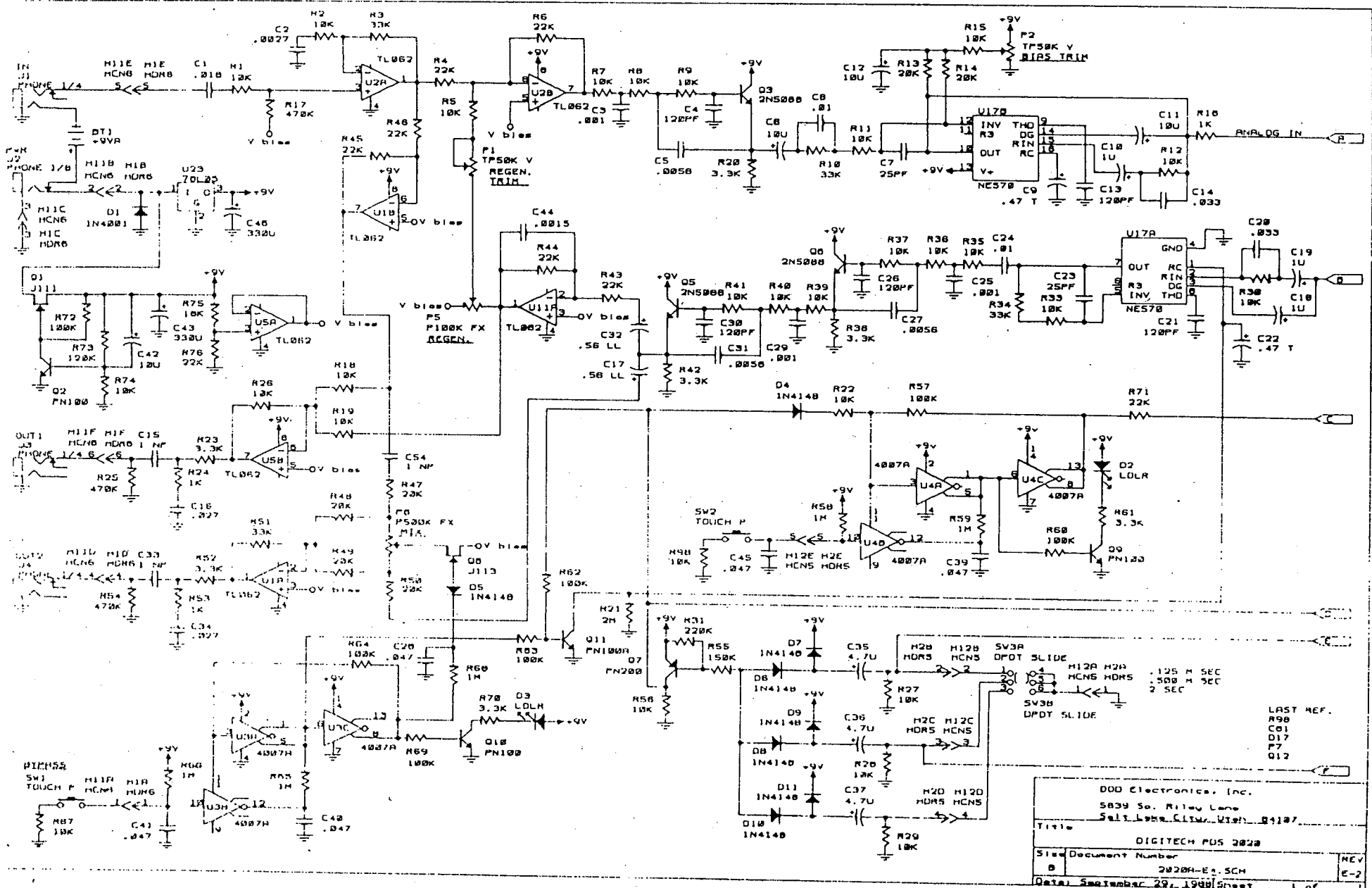


Manufacturing  
Original



DOD Electronics, Inc. 5639 So. Riley Lane Salt Lake City, Utah 84107		
Title DIGITECH PDS 2020		
Size Document Number B 2020A0CH.SCH		REV AO
Date: December 4, 1987		Sheet 1 of 1

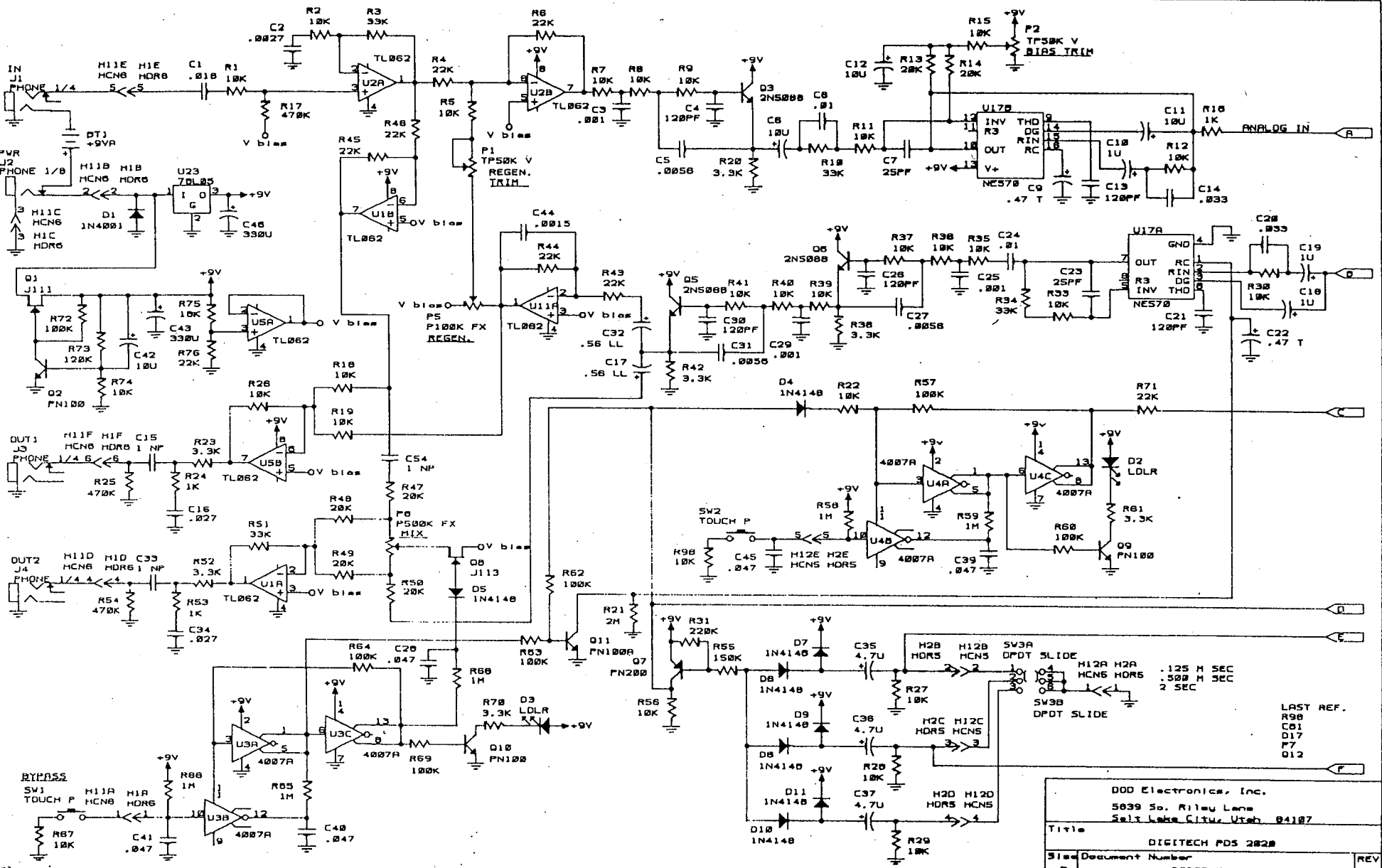


DDD Electronics, Inc.  
 5839 So. Riley Lane  
 Salt Lake City, Utah 84117

Title: DIGITECH PUS 2022

Size: Document Number: 2022A-E.SCH  
 Date: September 29, 1980

REV: E-2



DOD Electronics, Inc.  
 5639 So. Riley Lane  
 Salt Lake City, Utah 84107

Title: DIGITECH POS 2828

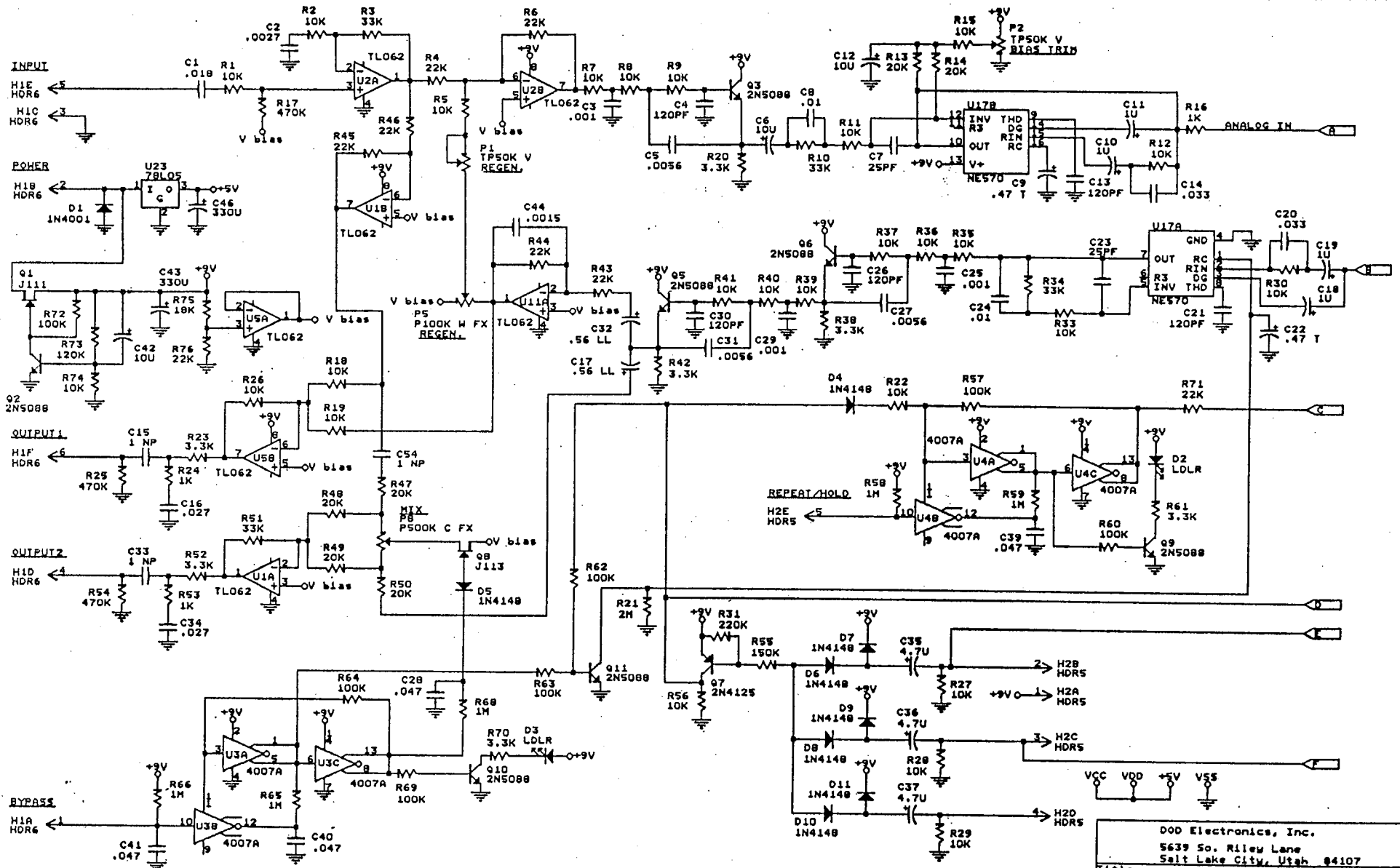
Sheet Document Number: 2828A-E1.SCH

Date: September 29, 1988 Sheet 1 of 1

REV: E-1

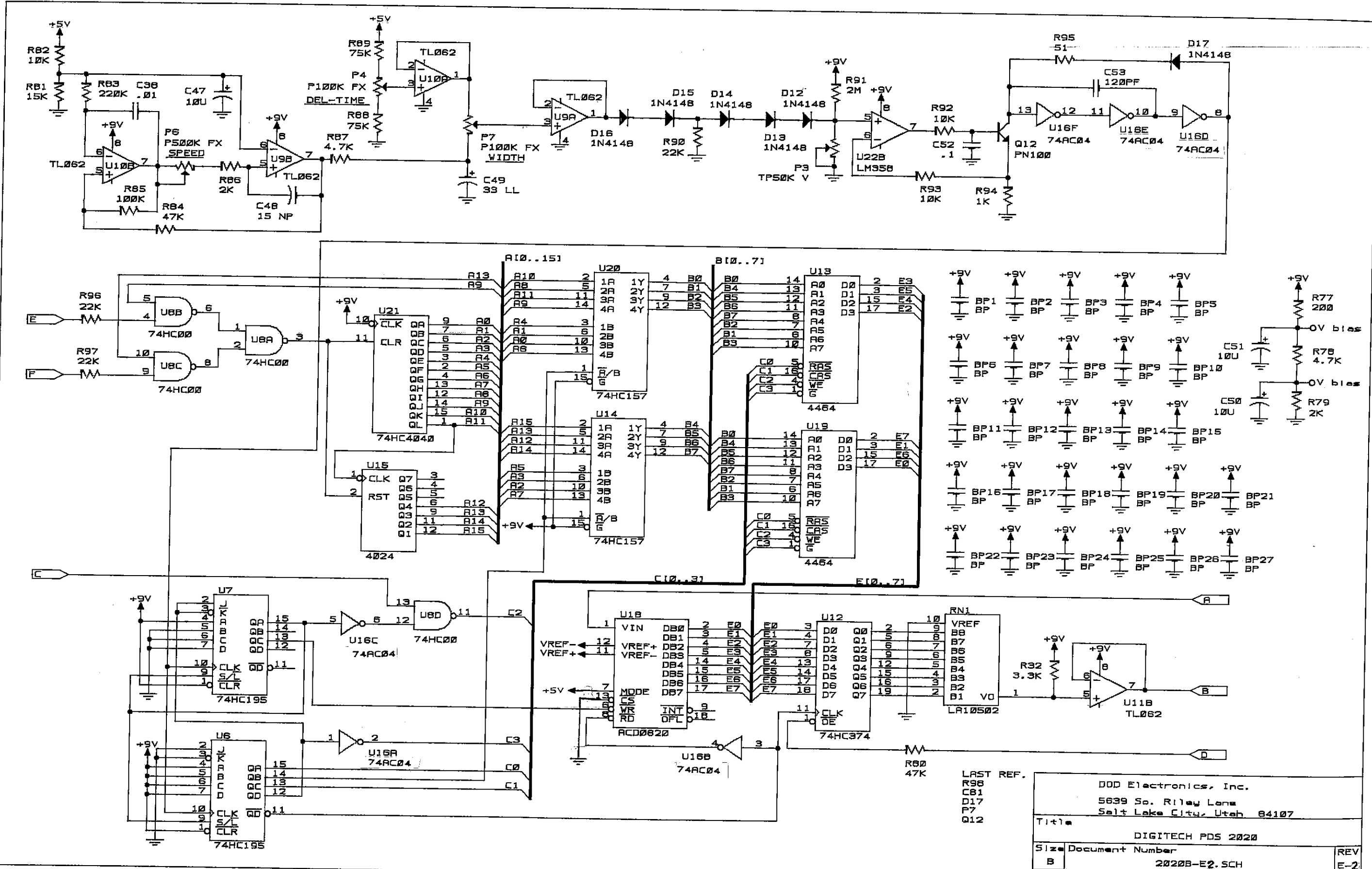
LAST REF.  
 R98  
 C01  
 D17  
 P7  
 D12

Manufacturing  
Original



DOD Electronics, Inc. 5639 So. Riley Lane Salt Lake City, Utah 84107		
Title DIGITECH PDS 2020		
Size Document Number B	2020E201.SCH	REV E2
Date: December 6, 1987	Sheet	1 of 7





LAST REF.  
 R96  
 C81  
 D17  
 P7  
 Q12

DDD Electronics, Inc.  
 5639 So. Riley Lane  
 Salt Lake City, Utah 84107

Title  
 DIGITECH PDS 2020

Size	Document Number	REV
B	2020B-E2.SCH	E-2
Date:	September 29, 1988	Sheet 2 of 2