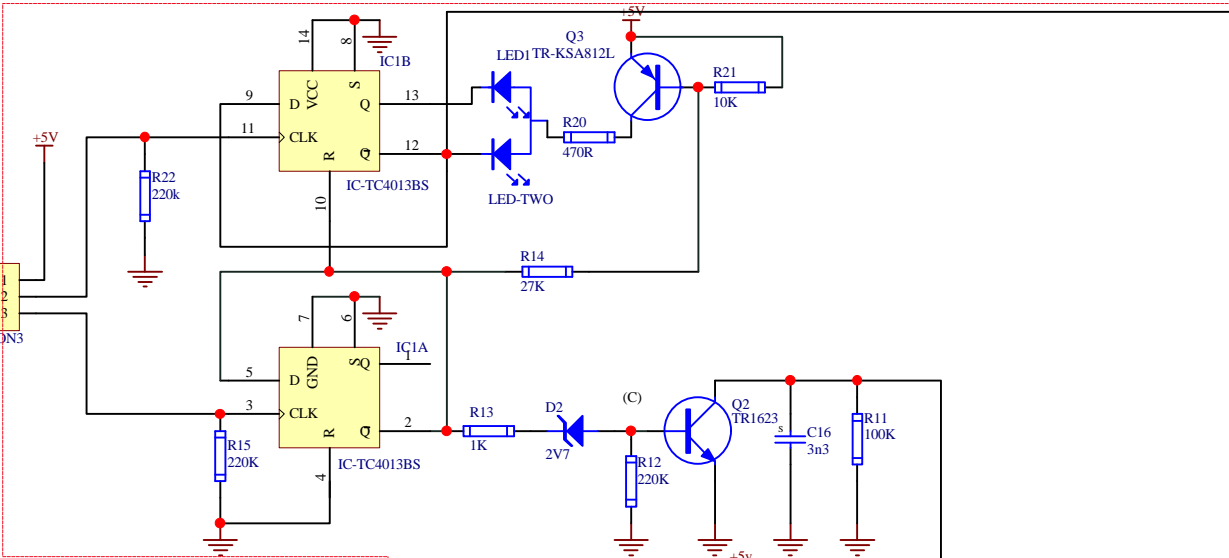
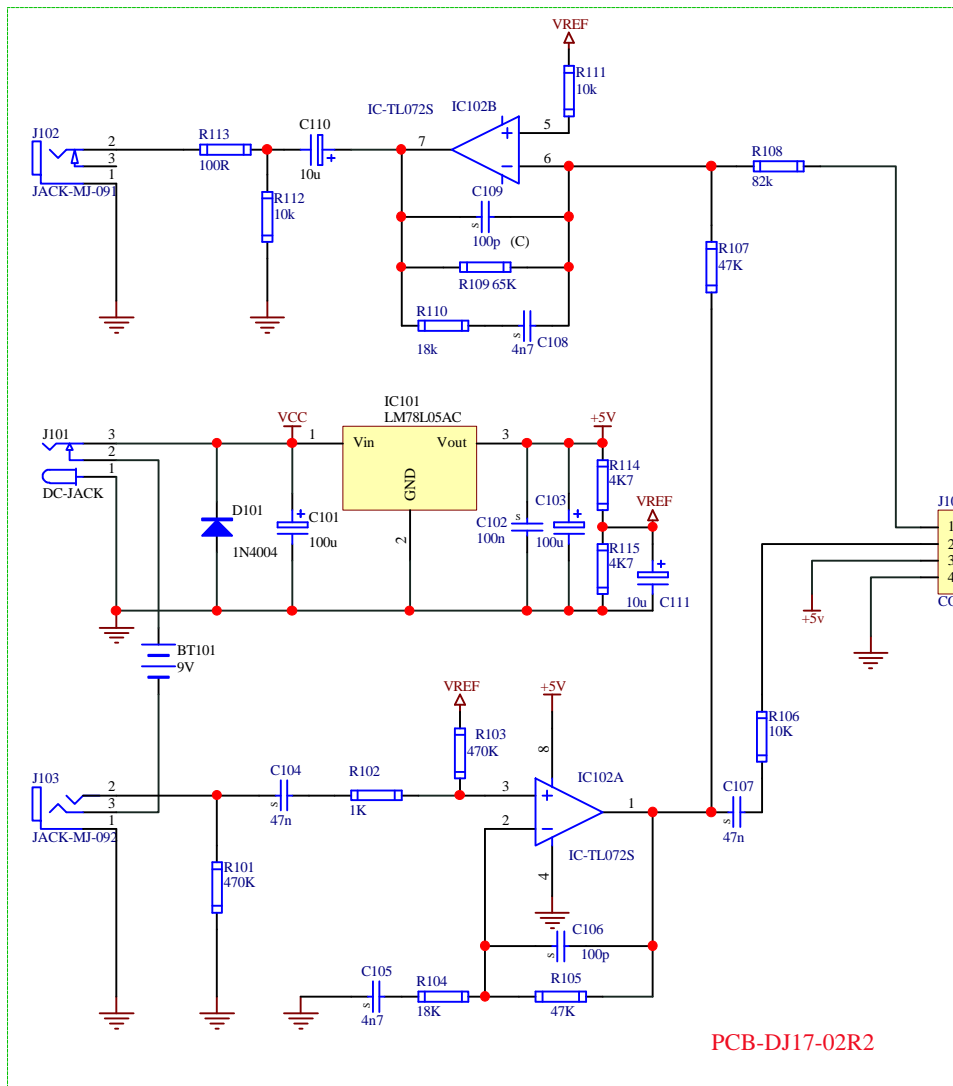


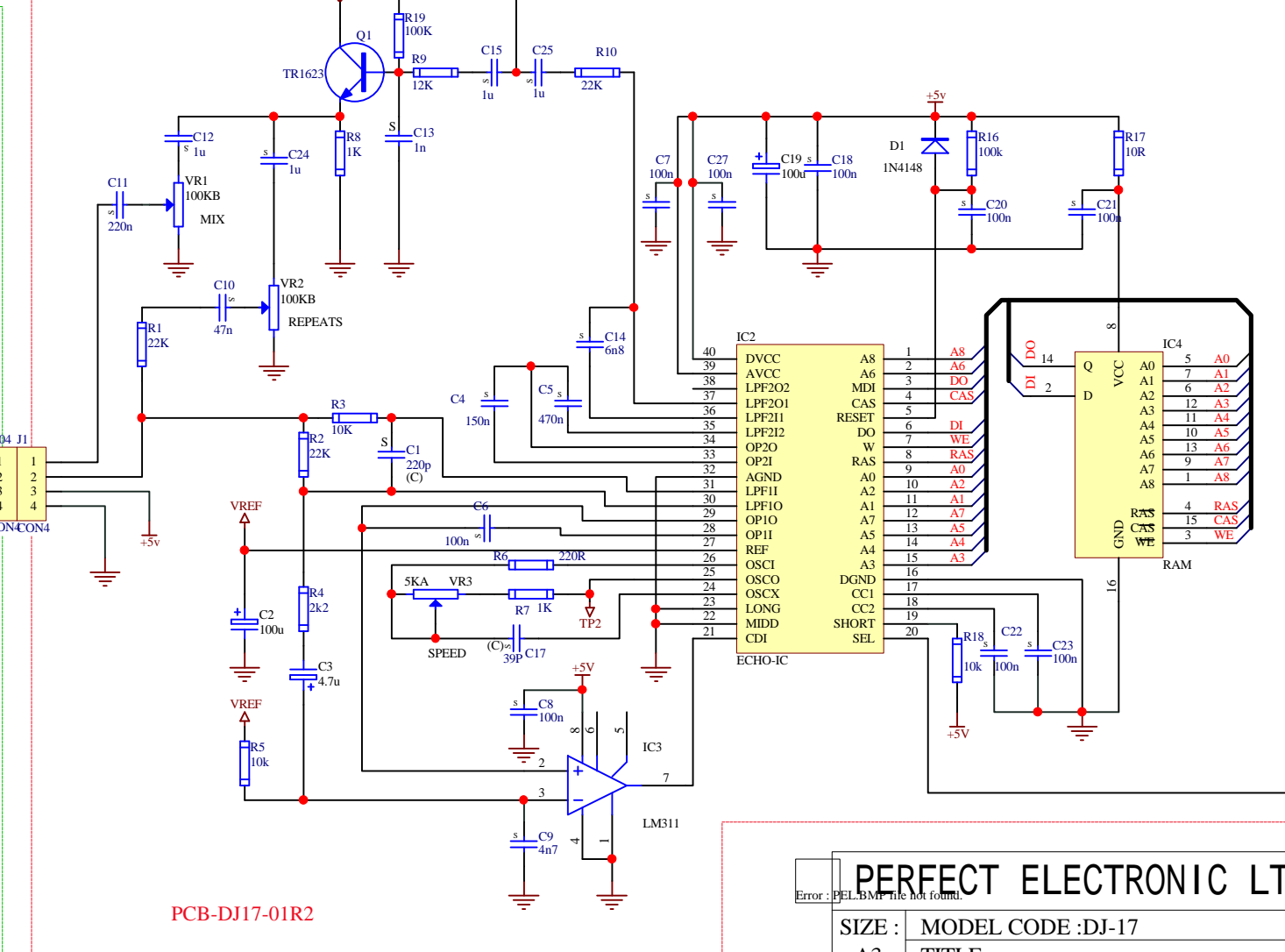
PCB-DJ14-03R2



PCB-DJ17-01R2



PCB-DJ17-02R2



NOTE :

1. All resistors have a Half Mark are in ohms, 1/8W, +/-5%
- 2:All resistors and capacitors are in SMD part
3. All capacitors are in F
4. All capacitors marked w/S are SMD Chipcap
5. All capacitors marked w/SM are Small Metalizcap
6. All elect-capacitors marked w/M are mini E-Cap
7. All elect-capacitors marked w/SM are Spuer mini E-Cap

PERFECT ELECTRONIC LTD.

Error: PEL.BMP file not found.

SIZE :	MODEL CODE :DJ-17
A3	TITLE
FILE NAME :dj-17m	
DOC NO:	SHEET : 1 OF 1
TIME : 17:14:06	DATE : 1-Aug-2001

REV.	DESCRIPTION	DATE:	NAME:	APP. DATE	APPROVAL
1	ISSUE NO:				