

TRANSISTOR MODULE (Hi-β)

QCA300BA60

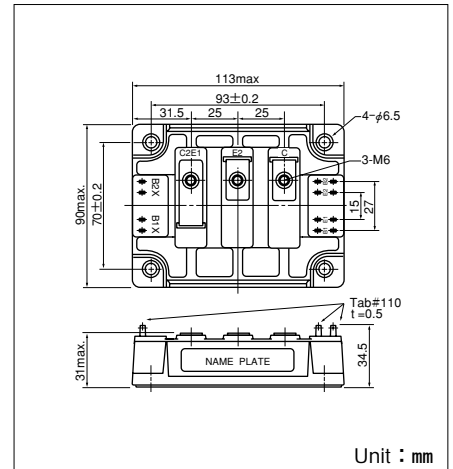
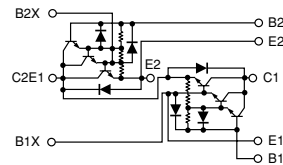
UL;E76102(M)

QCA300BA60 is a dual Darlington power transistor module which has series-connected **ULTRA HIGH** h_{FE} , high speed, high power Darlington transistor. Each transistor has a reverse paralleled fast recovery diode ($trr : 200ns$). The mounting base of the module is electrically isolated from semiconductor elements for simple heatsink construction,

- $I_C = 300A$, $V_{CEX} = 600V$
- Low saturation voltage for higher efficiency.
- ULTRA HIGH DC current gain h_{FE} . $h_{FE} \geq 750$
- Isolated mounting base
- $V_{EBO} 10V$ for faster switching speed.

(Applications)

Motor Control (VVVF), AC/DC Servo, UPS, Switching Power Supply, Ultrasonic Application



Maximum Ratings

($T_j = 25^\circ C$ unless otherwise specified)

Symbol	Item	Conditions	Ratings		Unit
			QCA300BA60		
V_{CBO}	Collector-Base Voltage		600		V
V_{CEX}	Collector-Emitter Voltage	$V_{BE} = -2V$	600		V
$V_{CEX(sus)}$	Collector-Emitter sustaining voltage	$I_C = 60V$ $I_{B2} = -5A$	600		V
V_{EBO}	Emitter-Base Voltage		10		V
I_C	Collector Current	() $pw \leq 1ms$	300 (600)		A
$-I_C$	Reverse Collector Current		300		A
I_B	Base Current		18		A
P_T	Total power dissipation	$T_C = 25^\circ C$	1380		W
T_j	Junction Temperature		-40 to +150		$^\circ C$
T_{stg}	Storage Temperature		-40 to +125		$^\circ C$
V_{iso}	Isolation Voltage	A.C. 1minute	2500		V
	Mounting Torque	Mounting (M6)	Recommended Value 2.5-3.9 (25-40)		N·m (kgf·cm)
		Terminal (M6)	Recommended Value 2.5-3.9 (25-40)		
	Mass	Typical Value	675		g

Electrical Characteristics

Symbol	Item	Conditions	Ratings			Unit
			Min.	Typ.	Max.	
I_{CBO}	Collector Cut-off Current	$V_{CB} = V_{CBO}$			4.0	mA
I_{EBO}	Emitter Cut-off Current	$V_{EB} = V_{EBO}$			500	mA
h_{FE}	D.C. Current Gain	$I_C = 300A$, $V_{CE} = 2.5V$	750			
$V_{CE(sat)}$	Collector-Emitter Saturation Voltage	$I_C = 300A$, $I_B = 400mA$			2.5	V
$V_{BE(sat)}$	Base-Emitter Saturation Voltage	$I_C = 300A$, $I_B = 400mA$			3.0	V
t_{on}	Switching Time	On Time			2.0	μs
t_s		Storage Time	$V_{CC} = 300V$, $I_C = 300A$ $I_{B1} = 0.6A$, $I_{B2} = -6A$		8.0	
t_f		Fall Time			2.0	
V_{ECO}	Collector-Emitter Reverse Voltage	$I_C = -300A$			2.2	V
t_{rr}	Reverse Recovery time	$V_{CC} = 300V$, $I_C = -300A$, $-di/dt = 300A/\mu s$, $V_{BE} = -5V$		200		ns
$R_{th(j-c)}$	Thermal Impedance (junction to case)	Transistor part			0.08	$^\circ C/W$
		Diode part			0.35	

