

NPN Power Transistors

These devices are high voltage, high speed transistors for horizontal deflection output stages of TV's and CRT's.

- High Voltage: $V_{CEV} = 330$ or 400 V
- Fast Switching Speed: $t_f = 750$ ns (max)
- Low Saturation Voltage: $V_{CE(sat)} = 1$ V (max) @ 5 A
- Packaged in Compact JEDEC TO-220AB

BU406
BU407

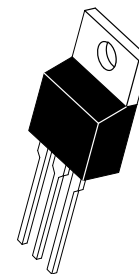
7 AMPERES
NPN SILICON
POWER TRANSISTORS
60 WATTS
150 and 200 VOLTS

MAXIMUM RATINGS

Rating	Symbol	BU406	BU407	Unit
Collector-Emitter Voltage	V_{CEO}	200	150	Vdc
Collector-Emitter Voltage	V_{CEV}	400	330	Vdc
Collector-Base Voltage	V_{CBO}	400	330	Vdc
Emitter Base Voltage	V_{EBO}	6		Vdc
Collector Current — Continuous	I_C	7		Adc
Peak Repetitive		10		
Peak (10 ms)		15		
Base Current	I_B	4		Adc
Total Device Dissipation, $T_C = 25^\circ\text{C}$ Derate above $T_C = 25^\circ\text{C}$	P_D	60	0.48	Watts W/ $^\circ\text{C}$
Operating and Storage Junction Temperature Range	T_J, T_{stg}	-65 to 150		$^\circ\text{C}$

THERMAL CHARACTERISTICS

Characteristic	Symbol	Max	Unit
Thermal Resistance, Junction to Case	$R_{\theta JC}$	2.08	$^\circ\text{C}/\text{W}$
Thermal Resistance, Junction to Ambient	$R_{\theta JA}$	70	$^\circ\text{C}/\text{W}$
Lead Temperature for Soldering Purposes: 1/8" from Case for 5 Seconds	T_L	275	$^\circ\text{C}$



CASE 221A-06
TO-220AB

ELECTRICAL CHARACTERISTICS ($T_C = 25^\circ\text{C}$ unless otherwise noted)

Characteristic	Symbol	Min	Typ	Max	Unit
----------------	--------	-----	-----	-----	------

OFF CHARACTERISTICS

Collector-Emitter Sustaining Voltage ⁽¹⁾ ($I_C = 100$ mAdc, $I_B = 0$)	BU406 BU407	$V_{CEO(sus)}$	200 150	— —	— —	Vdc
Collector Cutoff Current ($V_{CE} = \text{Rated } V_{CEV}, V_{BE} = 0$) ($V_{CE} = \text{Rated } V_{CEO} + 50$ Vdc, $V_{BE} = 0$) ($V_{CE} = \text{Rated } V_{CEO} + 50$ Vdc, $V_{BE} = 0, T_C = 150^\circ\text{C}$)		I_{CES}	— — —	— — —	5 0.1 1	mAdc
Emitter Cutoff Current ($V_{EB} = 6$ Vdc, $I_C = 0$)	BU406, BU407	I_{EBO}	—	—	1	mAdc

ON CHARACTERISTICS (1)

Collector-Emitter Saturation Voltage ($I_C = 5$ Adc, $I_B = 0.5$ Adc)	$V_{CE(sat)}$	—	—	1	Vdc
Base-Emitter Saturation Voltage ($I_C = 5$ Adc, $I_B = 0.5$ Adc)	$V_{BE(sat)}$	—	—	1.2	Vdc
Forward Diode Voltage ($I_{EC} = 5$ Adc) "D" only	V_{EC}	—	—	2	Volts

(1) Pulse Test: Pulse Width ≤ 300 μs , Duty Cycle $\leq 1\%$.

(continued)

BU406 BU407

ELECTRICAL CHARACTERISTICS — continued ($T_C = 25^\circ\text{C}$ unless otherwise noted)

Characteristic	Symbol	Min	Typ	Max	Unit
DYNAMIC CHARACTERISTICS					
Current-Gain — Bandwidth Product ($I_C = 0.5 \text{ Adc}$, $V_{CE} = 10 \text{ Vdc}$, $f_{\text{test}} = 20 \text{ MHz}$)	f_T	10	—	—	MHz
Output Capacitance ($V_{CB} = 10 \text{ Vdc}$, $I_E = 0$, $f = 1 \text{ MHz}$)	C_{ob}	—	80	—	pF
SWITCHING CHARACTERISTICS					
Inductive Load Crossover Time ($V_{CC} = 40 \text{ Vdc}$, $I_C = 5 \text{ Adc}$, $I_{B1} = I_{B2} = 0.5 \text{ Adc}$, $L = 150 \mu\text{H}$)	t_c	—	—	0.75	μs

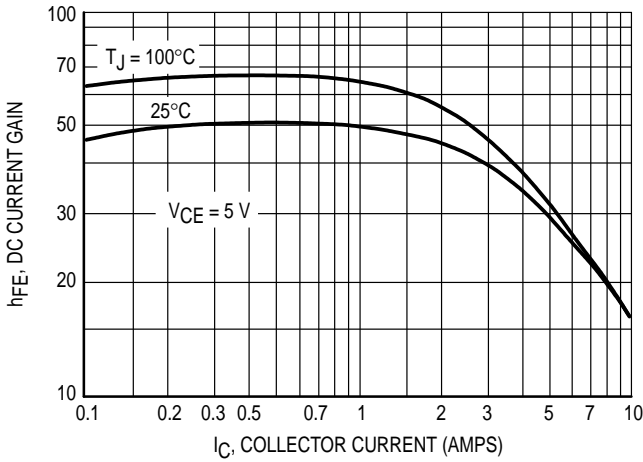


Figure 1. DC Current Gain

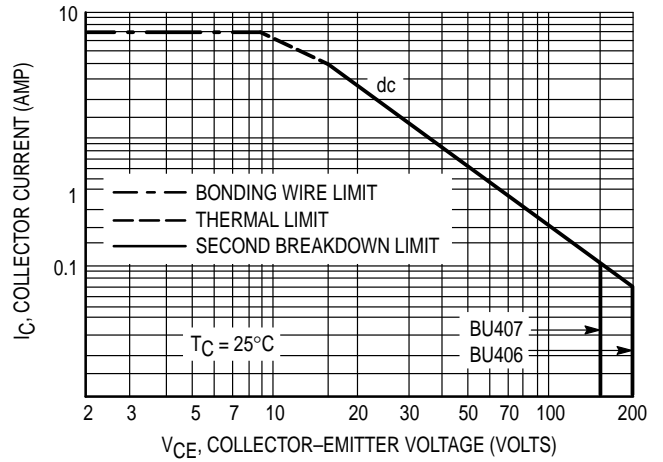
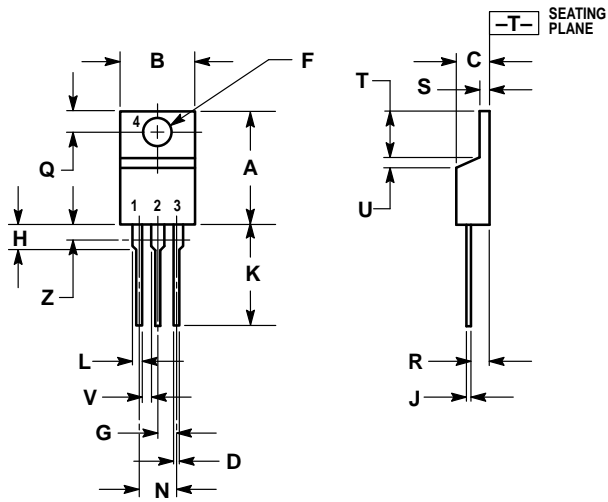


Figure 2. Maximum Rated Forward Bias Safe Operating Area

PACKAGE DIMENSIONS




- NOTES:
1. DIMENSIONING AND TOLERANCING PER ANSI Y14.5M, 1982.
 2. CONTROLLING DIMENSION: INCH.
 3. DIMENSION Z DEFINES A ZONE WHERE ALL BODY AND LEAD IRREGULARITIES ARE ALLOWED.

DIM	INCHES		MILLIMETERS	
	MIN	MAX	MIN	MAX
A	0.570	0.620	14.48	15.75
B	0.380	0.405	9.66	10.28
C	0.160	0.190	4.07	4.82
D	0.025	0.035	0.64	0.88
F	0.142	0.147	3.61	3.73
G	0.095	0.105	2.42	2.66
H	0.110	0.155	2.80	3.93
J	0.018	0.025	0.46	0.64
K	0.500	0.562	12.70	14.27
L	0.045	0.060	1.15	1.52
N	0.190	0.210	4.83	5.33
Q	0.100	0.120	2.54	3.04
R	0.080	0.110	2.04	2.79
S	0.045	0.055	1.15	1.39
T	0.235	0.255	5.97	6.47
U	0.000	0.050	0.00	1.27
V	0.045	—	1.15	—
Z	—	0.080	—	2.04

- STYLE 1:
1. BASE
 2. COLLECTOR
 3. EMITTER
 4. COLLECTOR

CASE 221A-06
TO-220AB
ISSUE Y

Motorola reserves the right to make changes without further notice to any products herein. Motorola makes no warranty, representation or guarantee regarding the suitability of its products for any particular purpose, nor does Motorola assume any liability arising out of the application or use of any product or circuit, and specifically disclaims any and all liability, including without limitation consequential or incidental damages. "Typical" parameters can and do vary in different applications. All operating parameters, including "Typicals" must be validated for each customer application by customer's technical experts. Motorola does not convey any license under its patent rights nor the rights of others. Motorola products are not designed, intended, or authorized for use as components in systems intended for surgical implant into the body, or other applications intended to support or sustain life, or for any other application in which the failure of the Motorola product could create a situation where personal injury or death may occur. Should Buyer purchase or use Motorola products for any such unintended or unauthorized application, Buyer shall indemnify and hold Motorola and its officers, employees, subsidiaries, affiliates, and distributors harmless against all claims, costs, damages, and expenses, and reasonable attorney fees arising out of, directly or indirectly, any claim of personal injury or death associated with such unintended or unauthorized use, even if such claim alleges that Motorola was negligent regarding the design or manufacture of the part. Motorola and  are registered trademarks of Motorola, Inc. Motorola, Inc. is an Equal Opportunity/Affirmative Action Employer.

How to reach us:

USA / EUROPE: Motorola Literature Distribution;
P.O. Box 20912; Phoenix, Arizona 85036. 1-800-441-2447

JAPAN: Nippon Motorola Ltd.; Tatsumi-SPD-JLDC, Toshikatsu Otsuki,
6F Seibu-Butsuryu-Center, 3-14-2 Tatsumi Koto-Ku, Tokyo 135, Japan. 03-3521-8315

MFAX: RMFAX0@email.sps.mot.com - TOUCHTONE (602) 244-6609
INTERNET: <http://Design-NET.com>

HONG KONG: Motorola Semiconductors H.K. Ltd.; 8B Tai Ping Industrial Park,
51 Ting Kok Road, Tai Po, N.T., Hong Kong. 852-26629298

