



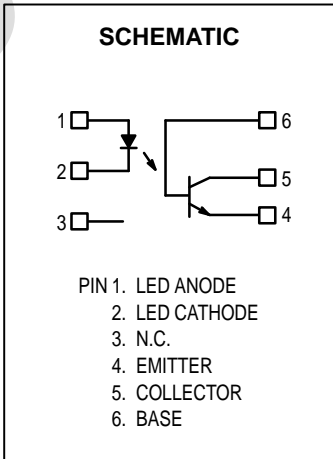
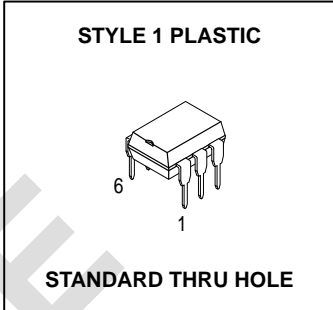
MTIL117

**6-Pin DIP Optoisolator
Transistor Output**

The MTIL117 device consists of a gallium arsenide infrared emitting diode optically coupled to a monolithic silicon phototransistor detector.

Applications

- Appliances, Measuring Instruments
- General Purpose Switching Circuits
- Programmable Controllers
- Portable Electronics
- Interfacing and coupling systems of different potentials and impedances
- Telecommunications Equipment



MAXIMUM RATINGS ($T_A = 25^\circ\text{C}$ unless otherwise noted)

Rating	Symbol	Value	Unit
--------	--------	-------	------

INPUT LED

Reverse Voltage	V_R	6	Volts
Forward Current — Continuous	I_F	60	mA
LED Power Dissipation @ $T_A = 25^\circ\text{C}$ with Negligible Power in Output Detector Derate above 25°C	P_D	100	mW
		1.41	mW/ $^\circ\text{C}$

OUTPUT TRANSISTOR

Collector–Emitter Voltage	V_{CEO}	30	Volts
Emitter–Base Voltage	V_{EBO}	7	Volts
Collector–Base Voltage	V_{CBO}	70	Volts
Collector Current — Continuous	I_C	50	mA
Detector Power Dissipation @ $T_A = 25^\circ\text{C}$ with Negligible Power in Input LED Derate above 25°C	P_D	50	mW
		1.76	mW/ $^\circ\text{C}$

TOTAL DEVICE

Isolation Surge Voltage ⁽¹⁾ (Peak ac Voltage, 60 Hz, 1 sec Duration)	V_{ISO}	7500	Vac(pk)
Total Device Power Dissipation @ $T_A = 25^\circ\text{C}$ Derate above 25°C	P_D	250 2.94	mW mW/ $^\circ\text{C}$
Ambient Operating Temperature Range ⁽²⁾	T_A	-55 to +100	$^\circ\text{C}$
Storage Temperature Range ⁽²⁾	T_{stg}	-55 to +150	$^\circ\text{C}$
Soldering Temperature (10 sec, 1/16" from case)	T_L	260	$^\circ\text{C}$

1. Isolation surge voltage is an internal device dielectric breakdown rating.
For this test, Pins 1 and 2 are common, and Pins 4, 5 and 6 are common.
2. Refer to Quality and Reliability Section in Opto Data Book for information on test conditions.

MTIL117

ELECTRICAL CHARACTERISTICS ($T_A = 25^\circ\text{C}$ unless otherwise noted)⁽¹⁾

Characteristic	Symbol	Min	Typ ⁽¹⁾	Max	Unit
INPUT LED					
Forward Voltage ($I_F = 16\text{ mA}$) $T_A = 0\text{--}70^\circ\text{C}$ $T_A = -55^\circ\text{C}$ $T_A = 100^\circ\text{C}$	V_F	— — —	1.15 1.3 1.05	1.4 — —	Volts
Reverse Leakage Current ($V_R = 3\text{ V}$)	I_R	—	0.05	10	μA
Capacitance ($V = 0\text{ V}$, $f = 1\text{ MHz}$)	C_J	—	18	—	pF

OUTPUT TRANSISTOR

Collector–Emitter Dark Current ($V_{CE} = 10\text{ V}$, $T_A = 25^\circ\text{C}$) ($V_{CB} = 30\text{ V}$, $T_A = 70^\circ\text{C}$)	I_{CEO}	—	3	50	nA
	I_{CEO}	—	0.05	50	μA
Collector–Base Dark Current ($V_{CB} = 10\text{ V}$)	I_{CBO}	—	0.2	20	nA
Collector–Emitter Breakdown Voltage ($I_C = 1\text{ mA}$)	$V_{(BR)CEO}$	30	45	—	Volts
Collector–Base Breakdown Voltage ($I_C = 10\text{ }\mu\text{A}$)	$V_{(BR)CBO}$	70	100	—	Volts
Emitter–Base Breakdown Voltage ($I_E = 10\text{ }\mu\text{A}$)	$V_{(BR)EBO}$	7	7.8	—	Volts
DC Current Gain ($I_C = 1\text{ mA}$, $V_{CE} = 5\text{ V}$) (Typical Value)	h_{FE}	—	600	—	—
Collector–Emitter Capacitance ($f = 1\text{ MHz}$, $V_{CE} = 0$)	C_{CE}	—	7	—	pF
Collector–Base Capacitance ($f = 1\text{ MHz}$, $V_{CB} = 0$)	C_{CB}	—	19	—	pF
Emitter–Base Capacitance ($f = 1\text{ MHz}$, $V_{EB} = 0$)	C_{EB}	—	9	—	pF

COUPLED

Output Collector Current ($I_F = 10\text{ mA}$, $V_{CE} = 10\text{ V}$)	I_C (CTR) ⁽²⁾	0.5 (50)	1 (100)	—	mA (%)
Collector–Emitter Saturation Voltage ($I_C = 100\text{ }\mu\text{A}$, $I_F = 1\text{ mA}$)	$V_{CE(sat)}$	—	0.22	0.5	Volts
Turn–On Time ($I_C = 2\text{ mA}$, $V_{CC} = 10\text{ V}$, $R_L = 100\text{ }\Omega$) ⁽³⁾	t_{on}	—	—	10	μs
Turn–Off Time ($I_C = 2\text{ mA}$, $V_{CC} = 10\text{ V}$, $R_L = 100\text{ }\Omega$) ⁽³⁾	t_{off}	—	—	10	μs
Rise Time ($I_C = 2\text{ mA}$, $V_{CC} = 10\text{ V}$, $R_L = 100\text{ }\Omega$) ⁽³⁾	t_r	—	3.8	—	μs
Fall Time ($I_C = 2\text{ mA}$, $V_{CC} = 10\text{ V}$, $R_L = 100\text{ }\Omega$) ⁽³⁾	t_f	—	5.6	—	μs
Isolation Voltage ($f = 60\text{ Hz}$, $t = 1\text{ sec}$) ⁽⁴⁾	V_{ISO}	7500	—	—	Vac(pk)
Isolation Resistance ($V = 500\text{ V}$) ⁽⁴⁾	R_{ISO}	10^{11}	—	—	Ω
Isolation Capacitance ($V = 0\text{ V}$, $f = 1\text{ MHz}$) ⁽⁴⁾	C_{ISO}	—	0.2	2	pF

1. Always design to the specified minimum/maximum electrical limits (where applicable).
2. Current Transfer Ratio (CTR) = $I_C/I_F \times 100\%$.
3. For test circuit setup and waveforms, refer to Figure 14.
4. For this test, Pins 1 and 2 are common, and Pins 4, 5 and 6 are common.

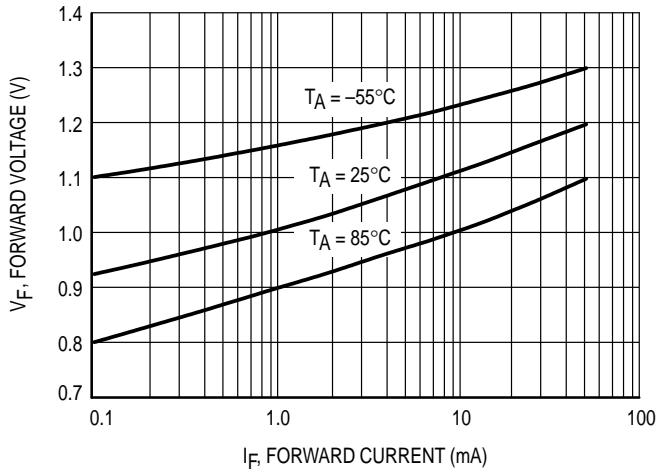


Figure 1. Forward Voltage vs. Forward Current

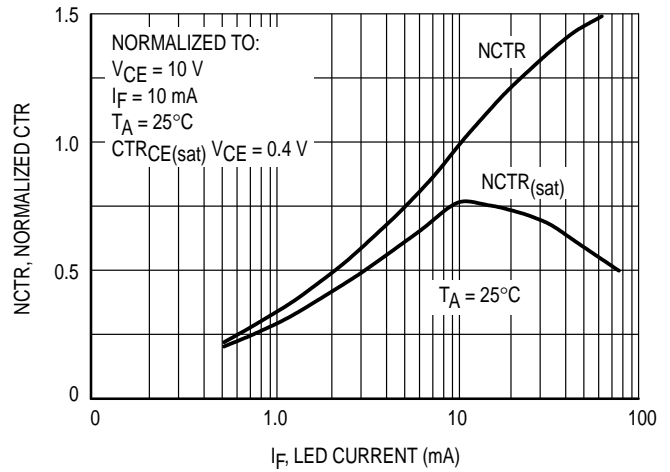


Figure 2. Normalized Non-Saturated and Saturated CTR, $T_A = 25^\circ\text{C}$ vs. LED Current

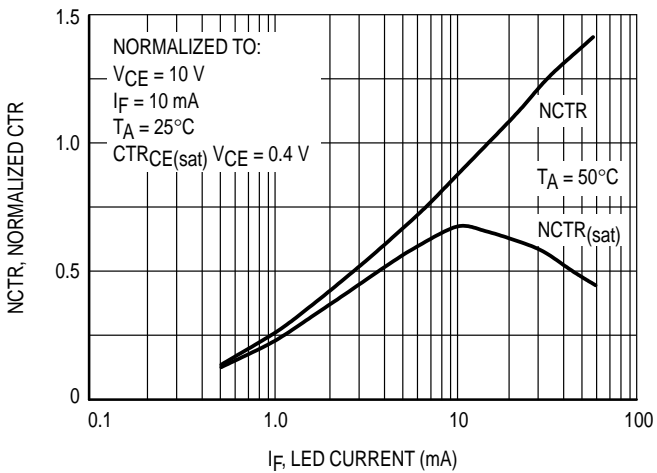


Figure 3. Normalized Non-Saturated and Saturated CTR, $T_A = 50^\circ\text{C}$ vs. LED Current

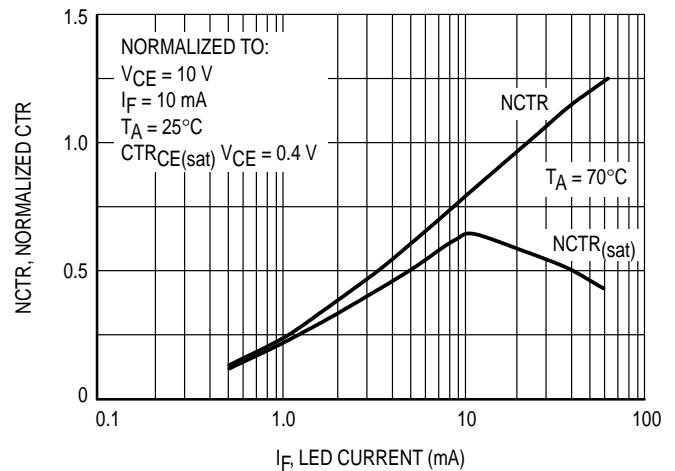


Figure 4. Normalized Non-Saturated and Saturated CTR, $T_A = 70^\circ\text{C}$ vs. LED Current

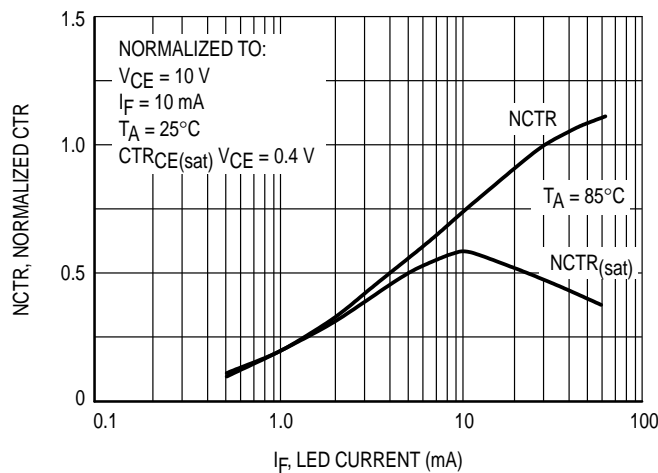


Figure 5. Normalized Non-Saturated and Saturated CTR, $T_A = 85^\circ\text{C}$ vs. LED Current

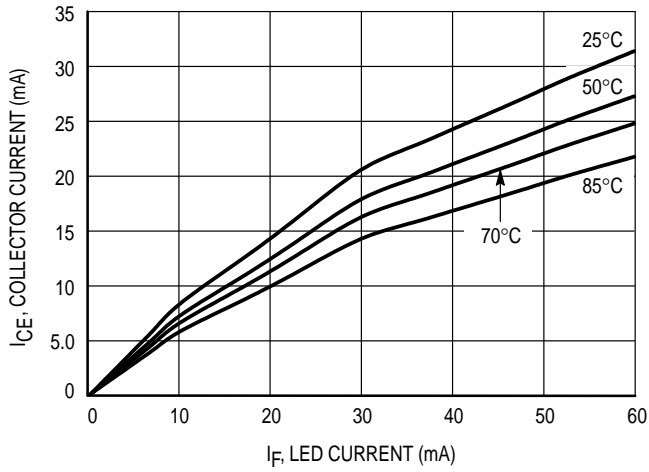


Figure 6. Collector–Emitter Current vs. Temperature and LED Current

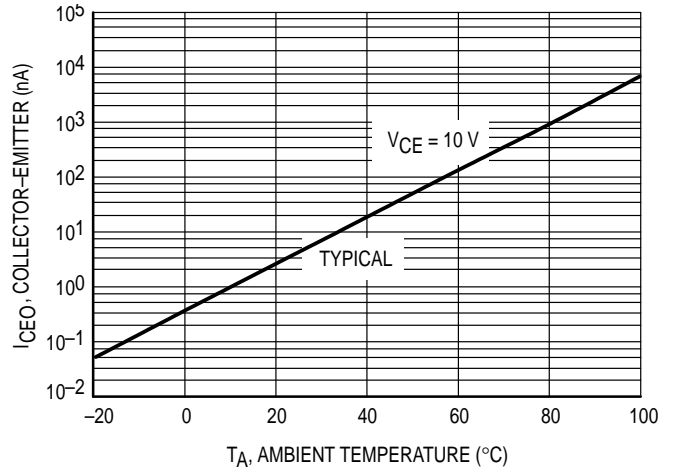


Figure 7. Collector–Emitter Leakage Current vs. Temperature

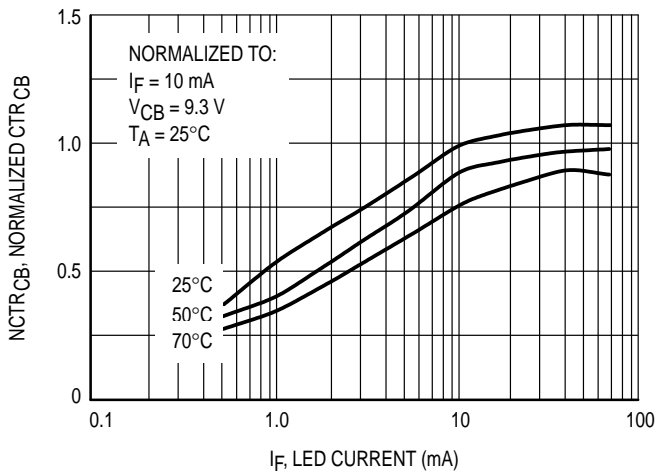


Figure 8. Normalized CTR_{cb} vs. LED Current and Temperature

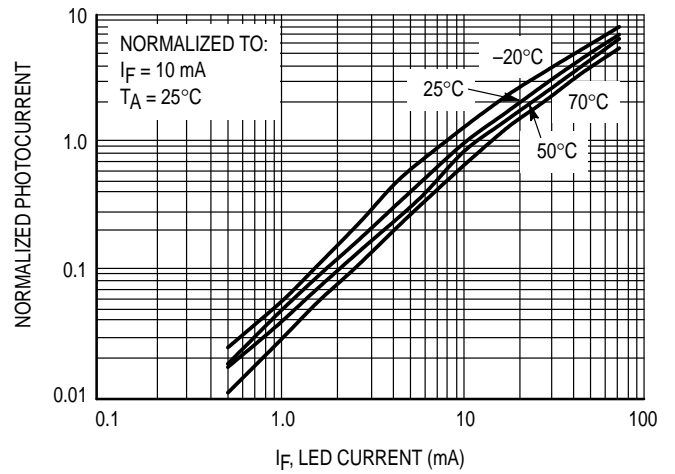


Figure 9. Normalized Photocurrent vs. I_F and Temperature

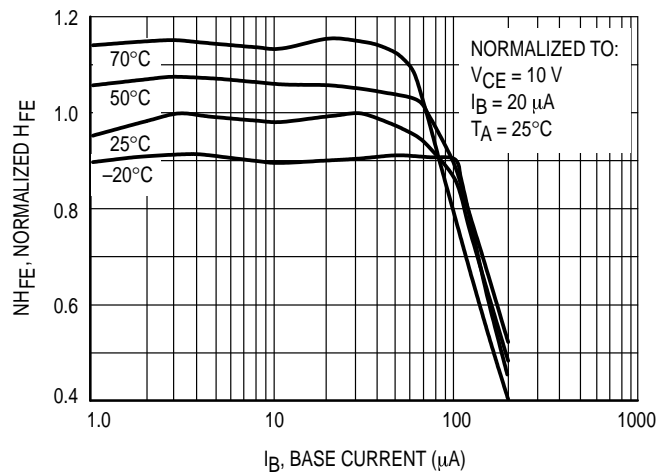


Figure 10. Normalized Non–Saturated H_{FE} vs. Base Current and Temperature

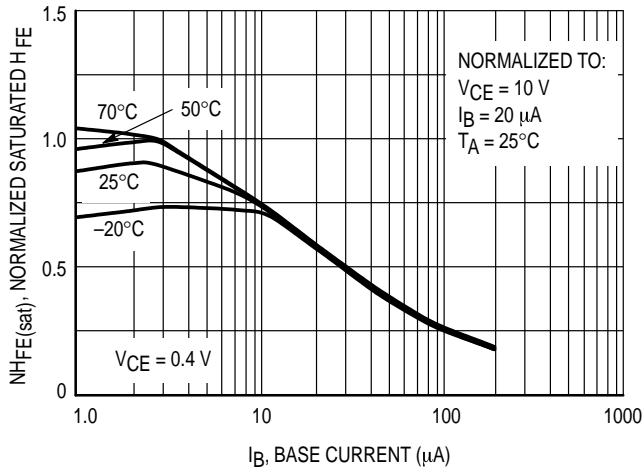


Figure 11. Normalized H_{FE} vs. Base Current and Temperature

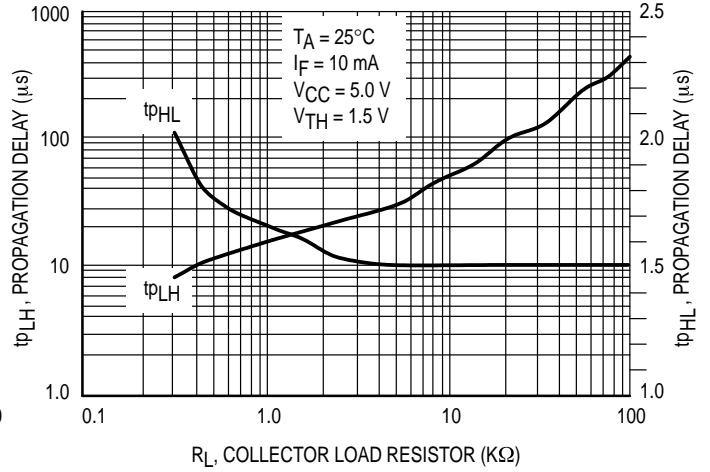


Figure 12. Propagation Delay vs. Collector Load Resistor

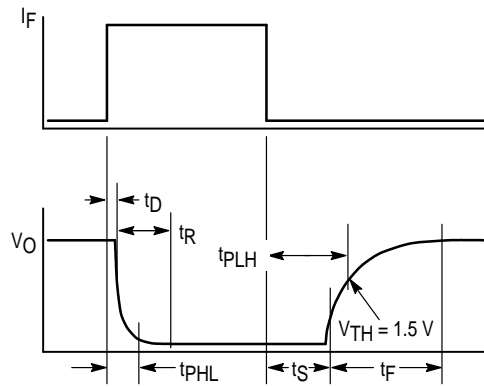
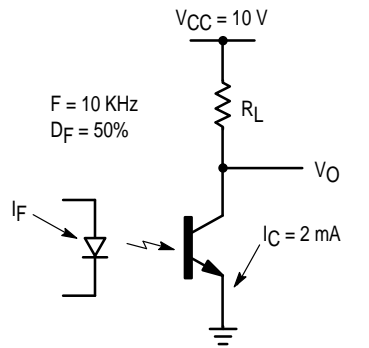
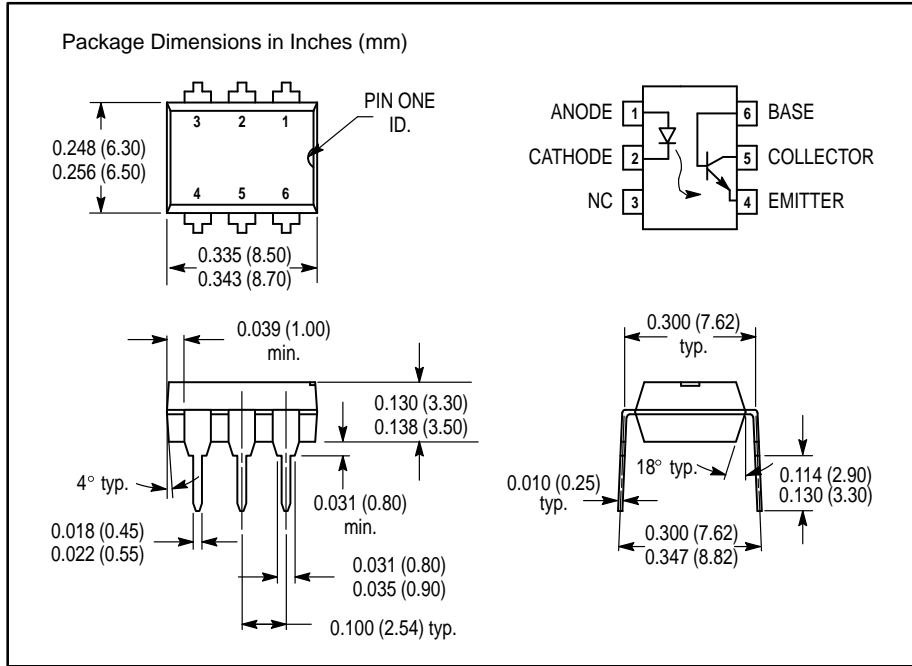



Figure 13. Switching Timing



$I_F = \text{As necessary to get } I_C = 2\text{ mA}$

Figure 14. Switching Schematic



Motorola reserves the right to make changes without further notice to any products herein. Motorola makes no warranty, representation or guarantee regarding the suitability of its products for any particular purpose, nor does Motorola assume any liability arising out of the application or use of any product or circuit, and specifically disclaims any and all liability, including without limitation consequential or incidental damages. "Typical" parameters which may be provided in Motorola data sheets and/or specifications can and do vary in different applications and actual performance may vary over time. All operating parameters, including "Typicals" must be validated for each customer application by customer's technical experts. Motorola does not convey any license under its patent rights nor the rights of others. Motorola products are not designed, intended, or authorized for use as components in systems intended for surgical implant into the body, or other applications intended to support or sustain life, or for any other application in which the failure of the Motorola product could create a situation where personal injury or death may occur. Should Buyer purchase or use Motorola products for any such unintended or unauthorized application, Buyer shall indemnify and hold Motorola and its officers, employees, subsidiaries, affiliates, and distributors harmless against all claims, costs, damages, and expenses, and reasonable attorney fees arising out of, directly or indirectly, any claim of personal injury or death associated with such unintended or unauthorized use, even if such claim alleges that Motorola was negligent regarding the design or manufacture of the part. Motorola and  are registered trademarks of Motorola, Inc. Motorola, Inc. is an Equal Opportunity/Affirmative Action Employer.

Mfax is a trademark of Motorola, Inc.

How to reach us:

USA/EUROPE/Locations Not Listed: Motorola Literature Distribution;
P.O. Box 5405, Denver, Colorado 80217. 303-675-2140 or 1-800-441-2447

JAPAN: Nippon Motorola Ltd.; Tatsumi-SPD-JLDC, 6F Seibu-Butsuryu-Center,
3-14-2 Tatsumi Koto-Ku, Tokyo 135, Japan. 81-3-3521-8315

Mfax™: RMFAX0@email.sps.mot.com – TOUCHTONE 602-244-6609
– US & Canada ONLY 1-800-774-1848

ASIA/PACIFIC: Motorola Semiconductors H.K. Ltd.; 8B Tai Ping Industrial Park,
51 Ting Kok Road, Tai Po, N.T., Hong Kong. 852-26629298

INTERNET: <http://motorola.com/sps>



MOTOROLA

