

# DATA SHEET

**OM2052**

Wideband amplifier module

Product specification

Supersedes data of November 1991

File under Discrete Semiconductors, SC16

1995 Nov 28

# Wideband amplifier module

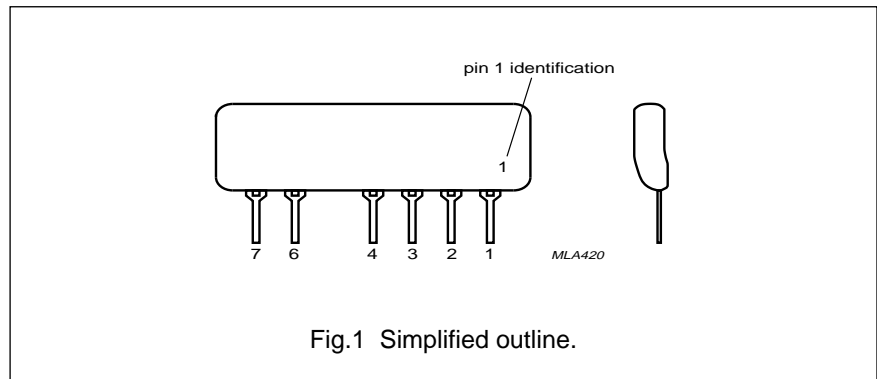
OM2052

## DESCRIPTION

A two-stage wideband amplifier in hybrid integrated circuit form on a thin-film substrate. The device is intended as an amplifier in MATV and CATV systems.

## PINNING

PIN	DESCRIPTION
1	input
2	common (-)
3	common (-)
4	common (-)
5	not connected
6	common (-)
7	output/supply (+)



## QUICK REFERENCE DATA

SYMBOL	PARAMETER	CONDITIONS	MIN.	TYP.	MAX.	UNIT
f	frequency range		40	–	860	MHz
Z <sub>S</sub> , Z <sub>L</sub>	source and load impedance		–	75	–	Ω
G <sub>T</sub>	transducer gain =  S <sub>21</sub>   <sup>2</sup>		–	28	–	dB
ΔG <sub>T</sub>	flatness of frequency response		–	1	–	dB
V <sub>o(rms)</sub>	output voltage (RMS value)	d <sub>im</sub> = -60 dB; 3 <sup>rd</sup> order intermodulation (3-tone)	–	107	–	dBμV
F	noise figure		–	4.5	–	dB
V <sub>B</sub>	DC supply voltage		10.8	12	13.2	V
T <sub>amb</sub>	ambient operating temperature		-20	–	+70	°C

Wideband amplifier module

OM2052

CIRCUIT DIAGRAM AND PRINTED-CIRCUIT BOARD

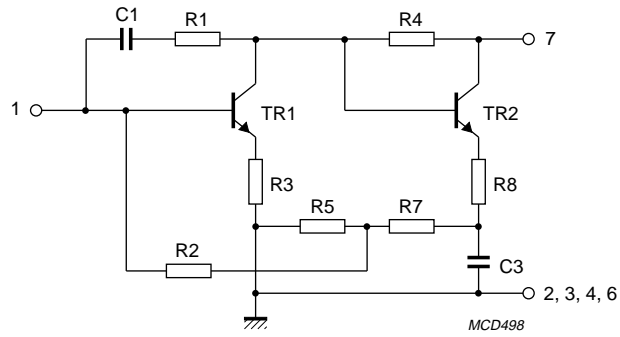
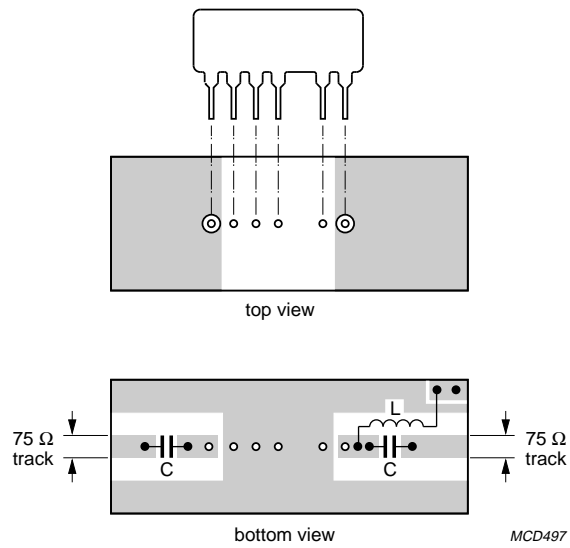


Fig.2 Circuit diagram.



L > 5  $\mu$ H; e.g. catalogue No. 3122 108 20150, or 27 turns enamelled 0.3 mm copper wire wound on a ferrite core with a diameter of 1.6 mm.  
 C > 220 pF ceramic capacitor.

Fig.3 Printed-circuit board holes and tracks.

## Wideband amplifier module

OM2052

**LIMITING VALUES**

In accordance with the Absolute Maximum Rating System (IEC 134).

SYMBOL	PARAMETER	MIN.	MAX.	UNIT
$V_B$	DC supply voltage	–	15	V
$P_{IM}$	peak incident powers on pins 1 and 8	–	100	mW
$T_{amb}$	ambient operating temperature	–20	+70	°C
$T_{stg}$	storage temperature	–40	+125	°C

**CHARACTERISTICS**

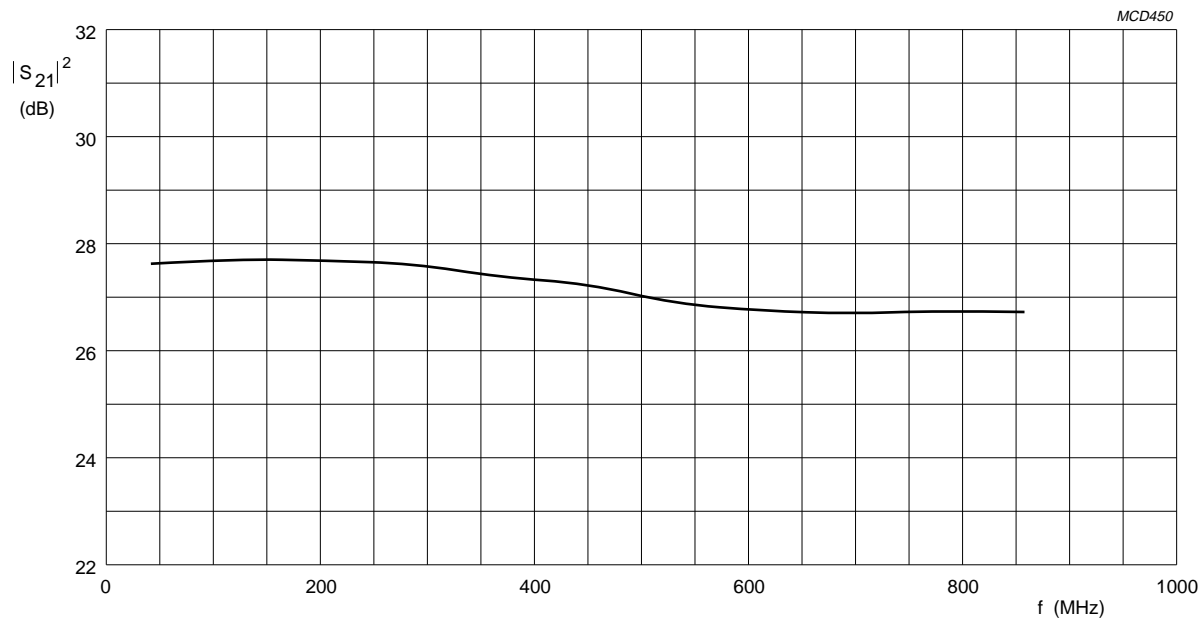
SYMBOL	PARAMETER	CONDITIONS	MIN.	TYP.	MAX.	UNIT
<b>Measuring conditions</b>						
$T_{amb}$	ambient operating temperature		–	25	–	°C
$V_B$	DC supply voltage		11.9	12	12.1	V
$Z_S$	source impedance		–	75	–	$\Omega$
$Z_L$	load impedance		–	75	–	$\Omega$
$Z_0$	characteristic impedance of HF connections		–	75	–	$\Omega$
f	frequency range		40	–	860	MHz
<b>Performance</b>						
$I_B$	supply current		38	42	44	mA
$G_T$	transducer gain = $ S_{21} ^2$		26	28	29	dB
$\Delta G_T$	flatness of frequency response		–	1	–	dB
$VSWR_{in}$	individual maximum VSWR	input; note 1	–	2.2	–	
$VSWR_{out}$	individual maximum VSWR	output; note 1	–	2.1	–	
$ S_{12} ^2$	back attenuation	f = 100 MHz	–	36	–	dB
		f = 860 MHz	–	29	–	dB
$V_{o(rms)}$	output voltage (RMS value)	$d_{im} = -60$ dB; 3 <sup>rd</sup> order intermodulation (3-tone)	–	107	–	dB $\mu$ V
F	noise figure		–	4.5	–	dB
<b>Operating conditions</b>						
$T_{amb}$	ambient operating temperature		–20	–	+70	°C
$V_B$	DC supply voltage		10.8	12	13.2	V
f	frequency range		40	–	860	MHz
$Z_S$	source impedance		–	75	–	$\Omega$
$Z_L$	load impedance		–	75	–	$\Omega$

**Note**

1. Highest value (for sample) occurring in the frequency range.

Wideband amplifier module

OM2052



Gain over entire frequency range.  
 $Z_0 = 75 \Omega$ .

Fig.4 Transducer gain as a function of frequency.

Wideband amplifier module

OM2052

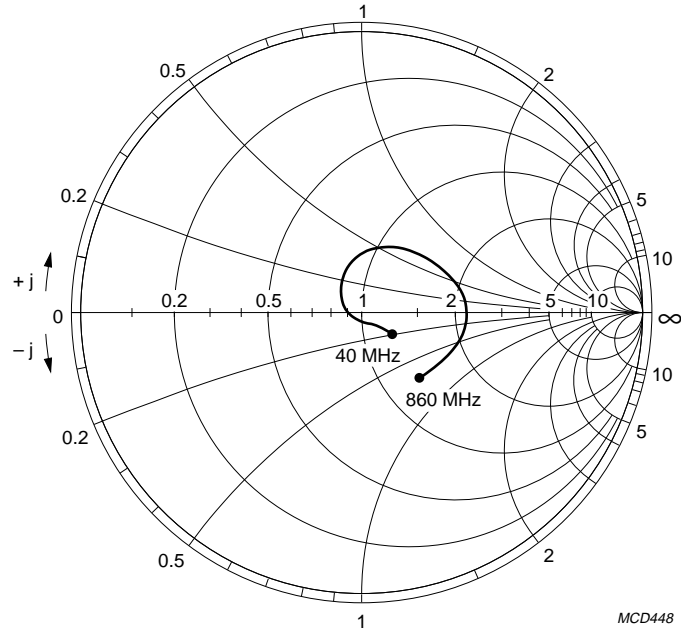


Fig.5 Input impedance derived from input reflection coefficient ( $S_{11}$ ), co-ordinates in ohms  $\times$  75; typical values.

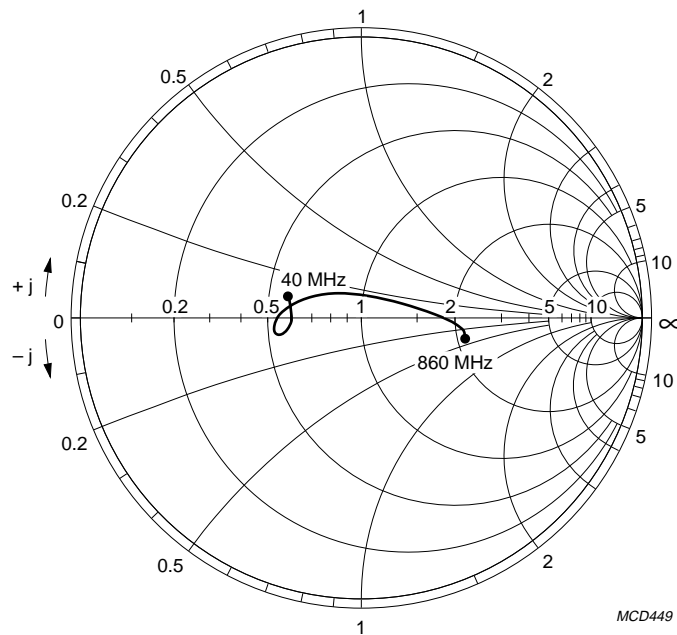


Fig.6 Output impedance derived from output reflection coefficient ( $S_{22}$ ), co-ordinates in ohms  $\times$  75; typical values.

# Wideband amplifier module

OM2052

## MOUNTING

The module should preferably be mounted on a double-sided printed-circuit board, see Fig.3. Input and output should be connected to 75 Ω tracks. The connection to the common pins should be as close to the seating plane as possible.

## SOLDERING

### Hand soldering

The maximum contact time for a soldering iron temperature of 260 °C up to the seating plane is 5 s.

### Dip or wave soldering

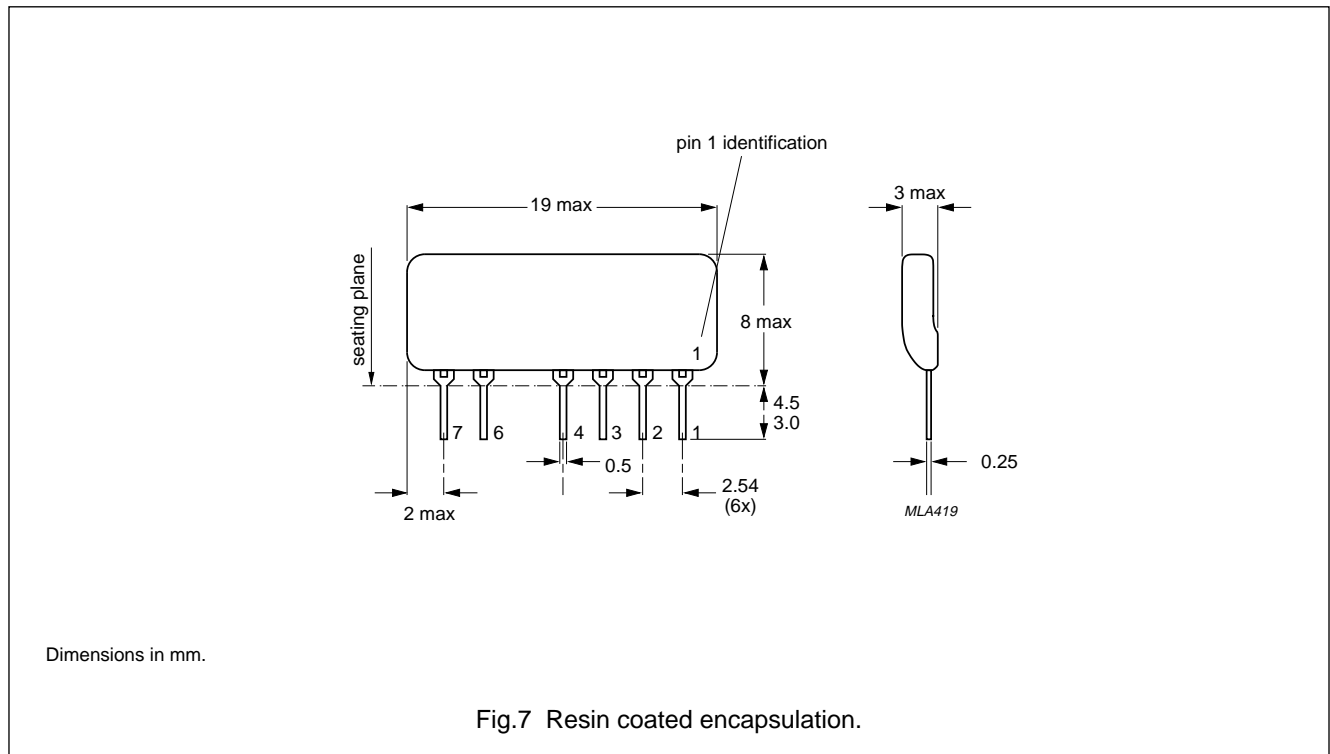
The maximum permissible temperature for the solder is 260 °C. It must not be in contact with the joint for more than 5 s.

The total contact time of successive solder waves must not exceed 5 s.

The device may be mounted against the printed-circuit board, but the temperature of the device must not exceed 125 °C.

If the printed-circuit board has been pre-heated, forced cooling may be necessary immediately after soldering to keep the temperature below the allowable limit.

## PACKAGE OUTLINE



## Wideband amplifier module

OM2052

**DEFINITIONS**

<b>Data sheet status</b>	
Objective specification	This data sheet contains target or goal specifications for product development.
Preliminary specification	This data sheet contains preliminary data; supplementary data may be published later.
Product specification	This data sheet contains final product specifications.
<b>Limiting values</b>	
Limiting values given are in accordance with the Absolute Maximum Rating System (IEC 134). Stress above one or more of the limiting values may cause permanent damage to the device. These are stress ratings only and operation of the device at these or at any other conditions above those given in the Characteristics sections of the specification is not implied. Exposure to limiting values for extended periods may affect device reliability.	
<b>Application information</b>	
Where application information is given, it is advisory and does not form part of the specification.	

**LIFE SUPPORT APPLICATIONS**

These products are not designed for use in life support appliances, devices, or systems where malfunction of these products can reasonably be expected to result in personal injury. Philips customers using or selling these products for use in such applications do so at their own risk and agree to fully indemnify Philips for any damages resulting from such improper use or sale.



---

Wideband amplifier module

OM2052

---

**NOTES**

---

Wideband amplifier module

OM2052

---

**NOTES**

---

Wideband amplifier module

OM2052

---

**NOTES**

## Philips Semiconductors – a worldwide company

**Argentina:** IEROD, Av. Juramento 1992 - 14.b, (1428)  
BUENOS AIRES, Tel. (541)786 7633, Fax. (541)786 9367

**Australia:** 34 Waterloo Road, NORTH RYDE, NSW 2113,  
Tel. (02)805 4455, Fax. (02)805 4466

**Austria:** Triester Str. 64, A-1101 WIEN, P.O. Box 213,  
Tel. (01)60 101-1236, Fax. (01)60 101-1211

**Belgium:** Postbus 90050, 5600 PB EINDHOVEN, The Netherlands,  
Tel. (31)40-2783749, Fax. (31)40-2788399

**Brazil:** Rua do Rocio 220 - 5<sup>th</sup> floor, Suite 51,  
CEP: 04552-903-SÃO PAULO-SP, Brazil.  
P.O. Box 7383 (01064-970),  
Tel. (011)821-2333, Fax. (011)829-1849

**Canada:** PHILIPS SEMICONDUCTORS/COMPONENTS:  
Tel. (800) 234-7381, Fax. (708) 296-8556

**Chile:** Av. Santa Maria 0760, SANTIAGO,  
Tel. (02)773 816, Fax. (02)777 6730

**China/Hong Kong:** 501 Hong Kong Industrial Technology Centre,  
72 Tat Chee Avenue, Kowloon Tong, HONG KONG,  
Tel. (852)2319 7888, Fax. (852)2319 7700

**Colombia:** IPRELENZO LTDA, Carrera 21 No. 56-17,  
77621 BOGOTA, Tel. (571)249 7624/(571)217 4609,  
Fax. (571)217 4549

**Denmark:** Prags Boulevard 80, PB 1919, DK-2300  
COPENHAGEN S, Tel. (45)32 88 26 36, Fax. (45)31 57 19 49

**Finland:** Sinikalliontie 3, FIN-02630 ESPOO,  
Tel. (358)0-615 800, Fax. (358)0-61580 920

**France:** 4 Rue du Port-aux-Vins, BP317,  
92156 SURESNES Cedex,  
Tel. (01)4099 6161, Fax. (01)4099 6427

**Germany:** P.O. Box 10 63 23, 20043 HAMBURG,  
Tel. (040)3296-0, Fax. (040)3296 213.

**Greece:** No. 15, 25th March Street, GR 17778 TAVROS,  
Tel. (01)4894 339/4894 911, Fax. (01)4814 240

**India:** Philips INDIA Ltd, Shivsagar Estate, A Block,  
Dr. Annie Besant Rd. Worli, Bombay 400 018  
Tel. (022)4938 541, Fax. (022)4938 722

**Indonesia:** Philips House, Jalan H.R. Rasuna Said Kav. 3-4,  
P.O. Box 4252, JAKARTA 12950,  
Tel. (021)5201 122, Fax. (021)5205 189

**Ireland:** Newstead, Clonskeagh, DUBLIN 14,  
Tel. (01)7640 000, Fax. (01)7640 200

**Italy:** PHILIPS SEMICONDUCTORS S.r.l.,  
Piazza IV Novembre 3, 20124 MILANO,  
Tel. (0039)2 6752 2531, Fax. (0039)2 6752 2557

**Japan:** Philips Bldg 13-37, Kohnan2-chome, Minato-ku, TOKYO 108,  
Tel. (03)3740 5130, Fax. (03)3740 5077

**Korea:** Philips House, 260-199 Itaewon-dong,  
Yongsan-ku, SEOUL, Tel. (02)709-1412, Fax. (02)709-1415

**Malaysia:** No. 76 Jalan Universiti, 46200 PETALING JAYA,  
SELANGOR, Tel. (03)750 5214, Fax. (03)757 4880

**Mexico:** 5900 Gateway East, Suite 200, EL PASO, TX 79905,  
Tel. 9-5(800)234-7381, Fax. (708)296-8556

**Netherlands:** Postbus 90050, 5600 PB EINDHOVEN, Bldg. VB,  
Tel. (040)2783749, Fax. (040)2788399

**New Zealand:** 2 Wagener Place, C.P.O. Box 1041, AUCKLAND,  
Tel. (09)849-4160, Fax. (09)849-7811

**Norway:** Box 1, Manglerud 0612, OSLO,  
Tel. (022)74 8000, Fax. (022)74 8341

**Pakistan:** Philips Electrical Industries of Pakistan Ltd.,  
Exchange Bldg. ST-2/A, Block 9, KDA Scheme 5, Clifton,  
KARACHI 75600, Tel. (021)587 4641-49,  
Fax. (021)577035/5874546

**Philippines:** PHILIPS SEMICONDUCTORS PHILIPPINES Inc.,  
106 Valero St. Salcedo Village, P.O. Box 2108 MCC, MAKATI,  
Metro MANILA, Tel. (63) 2 816 6380, Fax. (63) 2 817 3474

**Portugal:** PHILIPS PORTUGUESA, S.A.,  
Rua dr. António Loureiro Borges 5, Arquiparque - Miraflores,  
Apartado 300, 2795 LINDA-A-VELHA,  
Tel. (01)4163160/4163333, Fax. (01)4163174/4163366

**Singapore:** Lorong 1, Toa Payoh, SINGAPORE 1231,  
Tel. (65)350 2000, Fax. (65)251 6500

**South Africa:** S.A. PHILIPS Pty Ltd.,  
195-215 Main Road Martindale, 2092 JOHANNESBURG,  
P.O. Box 7430, Johannesburg 2000,  
Tel. (011)470-5911, Fax. (011)470-5494

**Spain:** Balmes 22, 08007 BARCELONA,  
Tel. (03)301 6312, Fax. (03)301 42 43

**Sweden:** Kottbygatan 7, Akalla. S-164 85 STOCKHOLM,  
Tel. (08)-632 2000, Fax. (08)-632 2745

**Switzerland:** Allmendstrasse 140, CH-8027 ZÜRICH,  
Tel. (01)488 2211, Fax. (01)481 77 30

**Taiwan:** PHILIPS TAIWAN Ltd., 23-30F, 66, Chung Hsiao West  
Road, Sec. 1. Taipei, Taiwan ROC, P.O. Box 22978,  
TAIPEI 100, Tel. (886) 2 382 4443, Fax. (886) 2 382 4444

**Thailand:** PHILIPS ELECTRONICS (THAILAND) Ltd.,  
209/2 Sanpavuth-Bangna Road Prakanong,  
Bangkok 10260, THAILAND,  
Tel. (66) 2 745-4090, Fax. (66) 2 398-0793

**Turkey:** Talatpasa Cad. No. 5, 80640 GÜLTEPE/ISTANBUL,  
Tel. (0212)279 27 70, Fax. (0212)282 67 07

**Ukraine:** Philips UKRAINE, 2A Akademika Koroleva str., Office 165,  
252148 KIEV, Tel. 380-44-4760297, Fax. 380-44-4766991

**United Kingdom:** Philips Semiconductors LTD.,  
276 Bath Road, Hayes, MIDDLESEX UB3 5BX,  
Tel. (0181)730-5000, Fax. (0181)754-8421

**United States:** 811 East Arques Avenue, SUNNYVALE,  
CA 94088-3409, Tel. (800)234-7381, Fax. (708)296-8556

**Uruguay:** Coronel Mora 433, MONTEVIDEO,  
Tel. (02)70-4044, Fax. (02)92 0601

**Internet:** <http://www.semiconductors.philips.com/ps/>

**For all other countries apply to:** Philips Semiconductors,  
International Marketing and Sales, Building BE-p,  
P.O. Box 218, 5600 MD EINDHOVEN, The Netherlands,  
Telex 35000 phtcnl, Fax. +31-40-2724825

SCD46 © Philips Electronics N.V. 1995

All rights are reserved. Reproduction in whole or in part is prohibited without the prior written consent of the copyright owner.

The information presented in this document does not form part of any quotation or contract, is believed to be accurate and reliable and may be changed without notice. No liability will be accepted by the publisher for any consequence of its use. Publication thereof does not convey nor imply any license under patent- or other industrial or intellectual property rights.

Printed in The Netherlands

143061/1000/02/pp12  
Document order number:

Date of release: 1995 Nov 28  
9397 750 00478