

DATA SHEET

Leadform options High-voltage and Switching NPN Power Transistors

1996 Feb 10

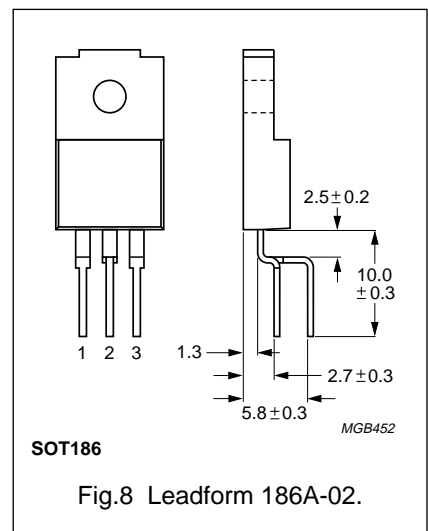
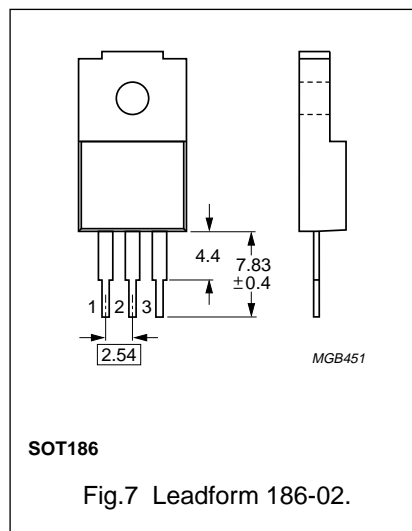
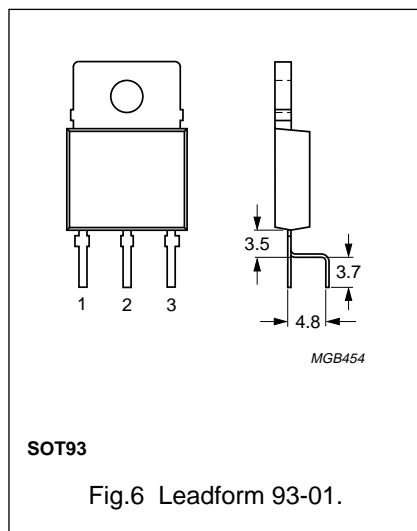
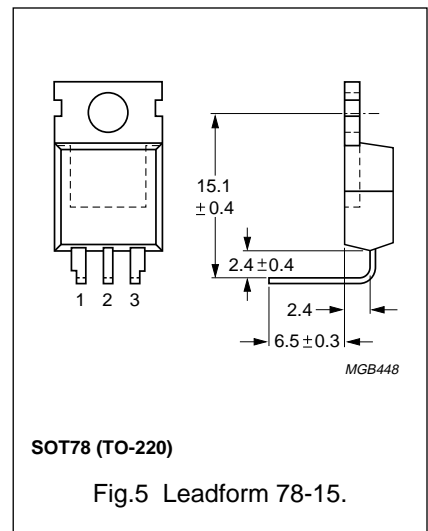
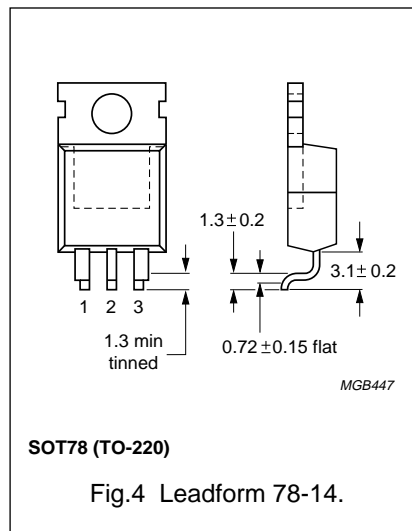
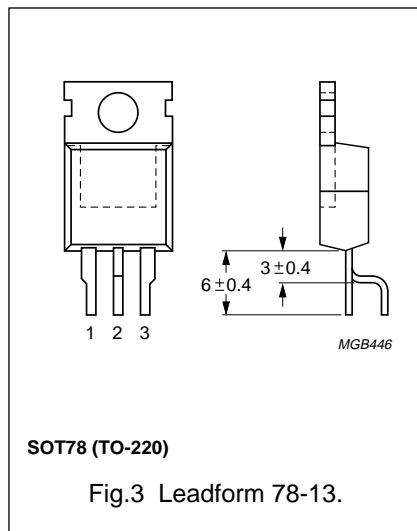
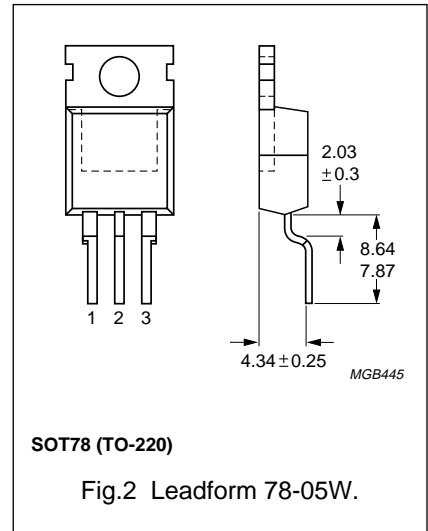
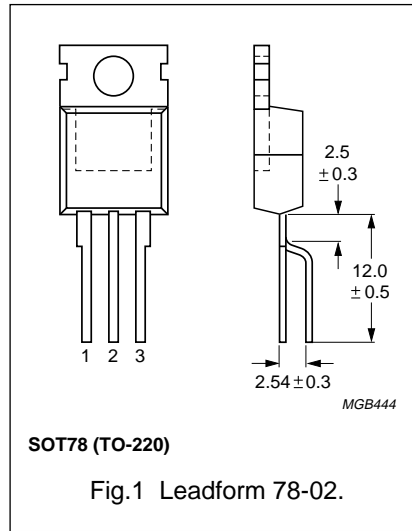
File under Discrete Semiconductors, SC06

High-voltage and Switching NPN Power Transistors

Leadform options

LEADFORM OPTIONS

- These options require a special part number before ordering.
- Contact your local Philips Semiconductors representative for pricing, minimum order quantities and part number.



High-voltage and Switching NPN Power Transistors

Leadform options

